



---

# FIBER SPARE PARTS FOR WEAVING LOOMS

*Dornier – Nuovo Pignone – Picanol – Somet - Vamatex*

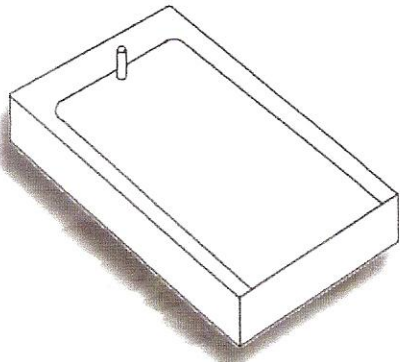
INTERCHANGEABLE WITH ORIGINALS

---

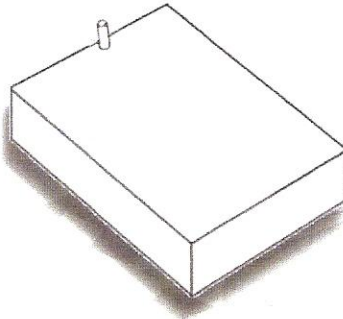




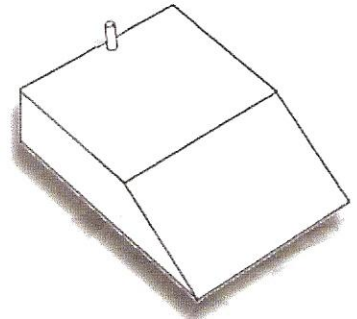
**TEFLON LUBRICANT PARTS:**



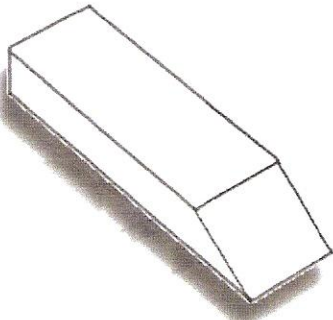
**SOMET - Thema  
A1A726**



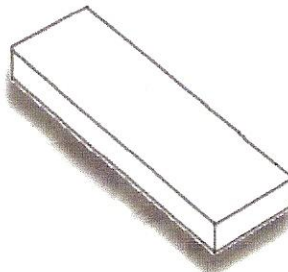
**N.P. TP500 - TP600  
PBO28359  
(box 20 pcs. PBO15096)**



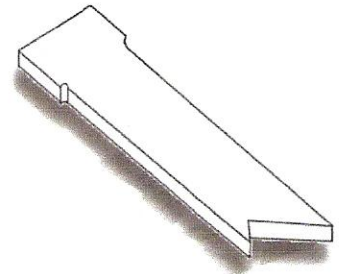
**N.P. - Fast  
PNO63506  
(Ex. PNO63454)**



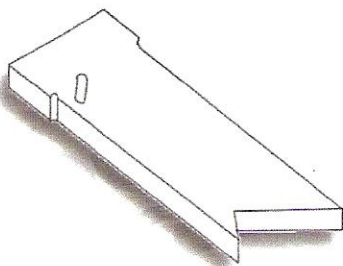
**VAMATEX - Leonardo  
2509090 (VA150)**



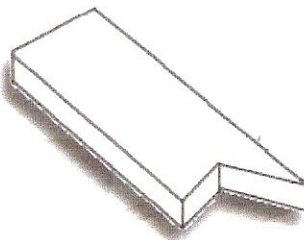
**PANTER  
2573082**



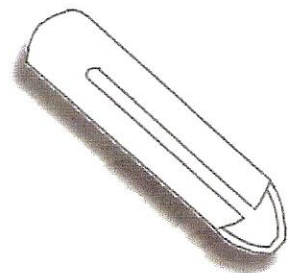
**DORNIER  
341207**



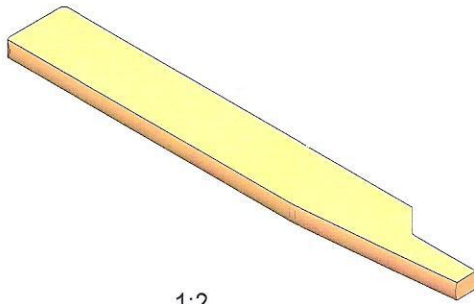
**DORNIER  
341205**



**DORNIER  
341206**

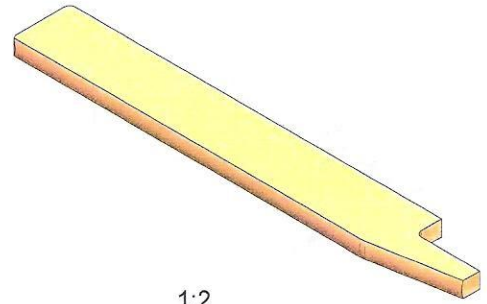


**DORNIER  
335778**



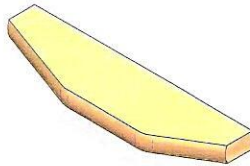
1:2

**338123**  
LH gripper opener plate for thin yarns 170x23x6 mm



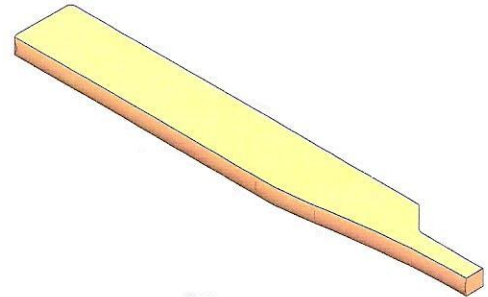
1:2

**338126**  
Plate 170x23 mm



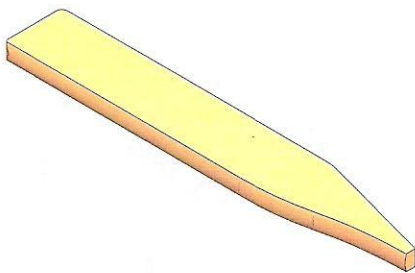
1:2

**338128**  
RH gripper opener plate 85x23x6 mm



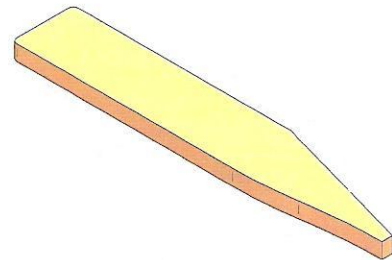
1:2

**338416**  
LH gripper opener plate for thin yarns 170x23x6 mm



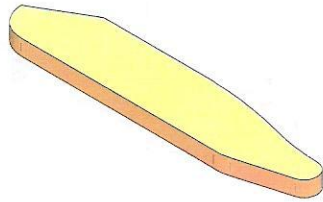
1:2

**339033**  
Reference plate for thin yarn and fast machines 150x23x6 mm



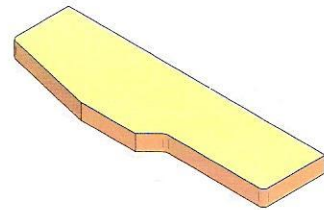
1:2

**345723**  
Gripper opener 140x24x6 mm



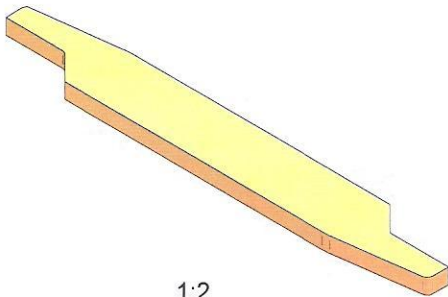
1:2

**736086**  
Gripper opener (338127) 115x23x6 mm



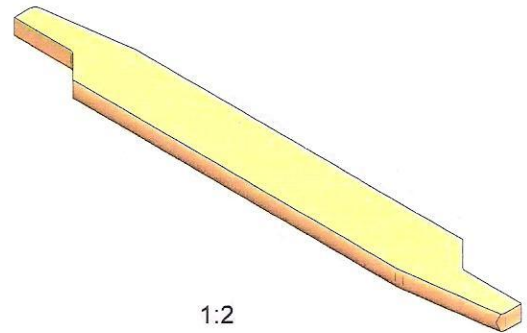
1:2

**861100**  
RH retess. gripper opener plate 100x30x6 mm



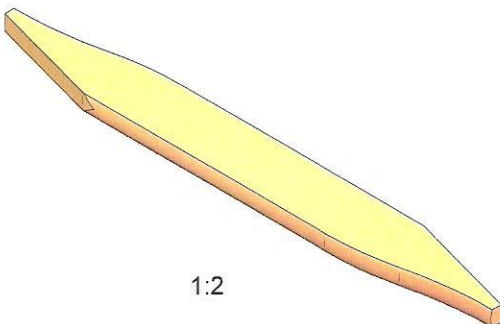
1:2

**APRD01**  
Double LH gripper opener plate 170x23x6 mm



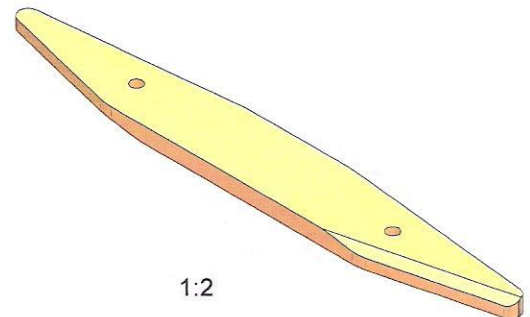
1:2

**APRD02**  
Double LH gripper opener plate 195x23x6 mm



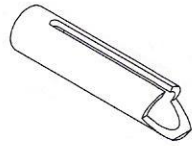
1:2

**APRD03**  
Double gripper opener plate 195x23 mm



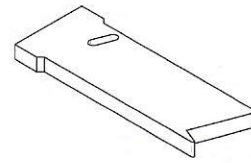
1:2

**APRD04**  
Gripper opener



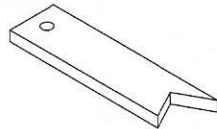
1:2

**335778**  
Teflon lubricant pencil  $\varnothing$ 14x60 mm



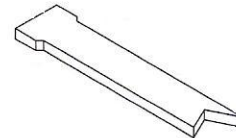
1:2

**341205**  
Teflon lubricant 70x26x5 mm



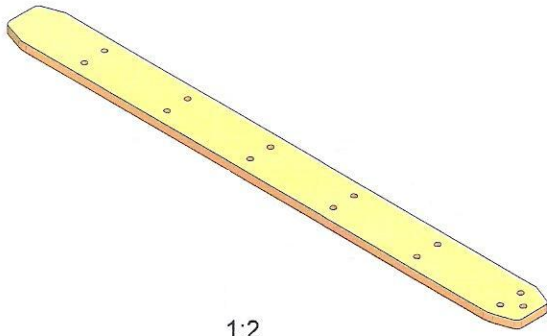
1:2

**341206**  
Teflon lubricant 64x17x4 mm



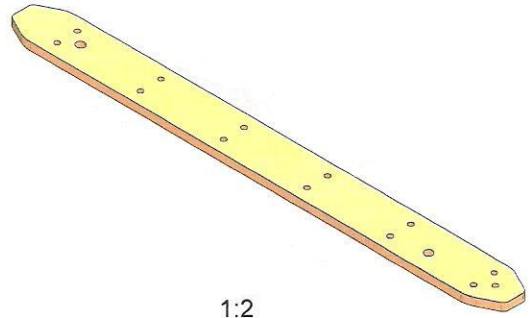
1:2

**341207**  
Teflon lubricant 74x16x4 mm



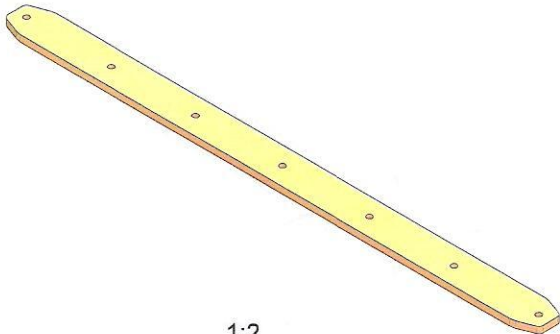
1:2

**PBZ53941**  
Plate  
TP 500



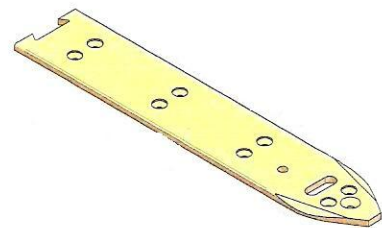
1:2

**PBZ53944**  
Plate  
TP 600



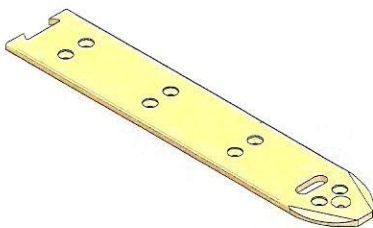
1:2

**PBZ53927**  
Plate  
TP 500



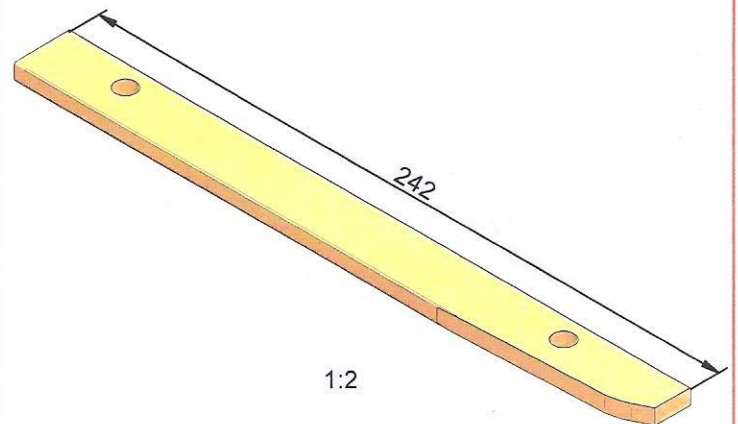
1:2

**PBZ53955**  
Interchangeable top for tape  
TP 600



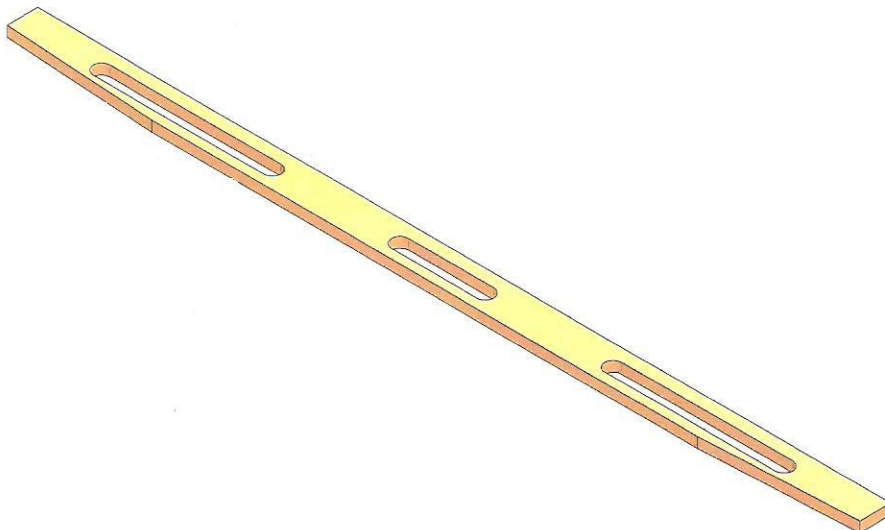
1:2

**PBZ53956**  
Interchangeable top for tape  
TP 500



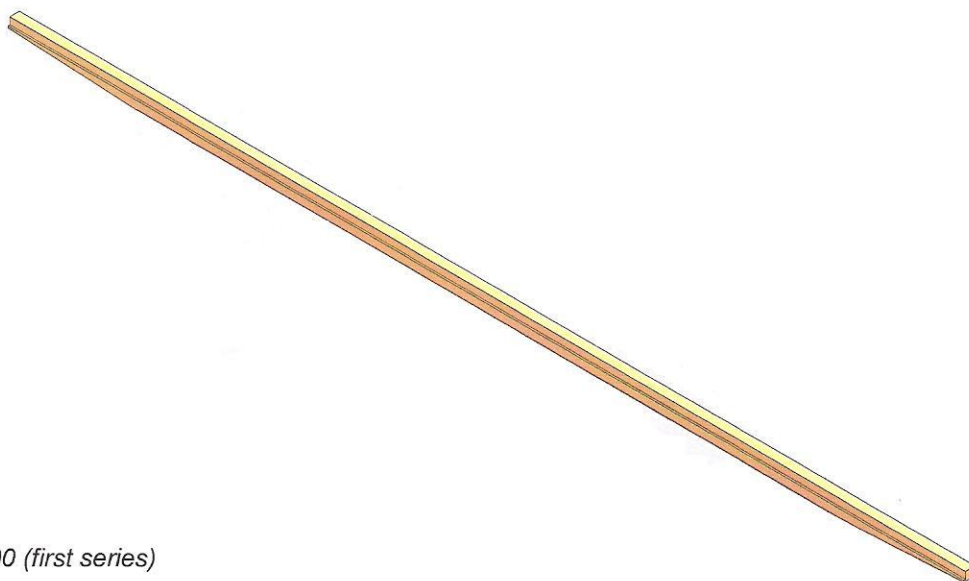
1:2

**PNZ53890**  
Gripper opener  
Fast P/R/S/T



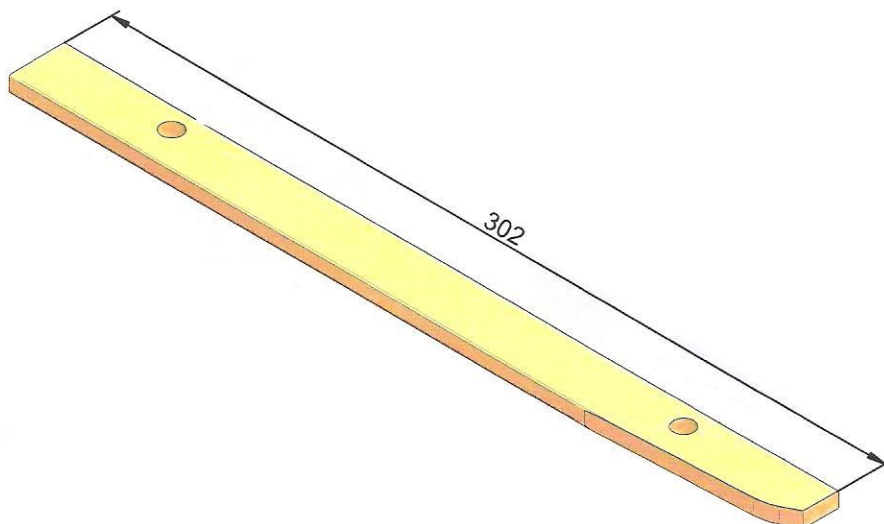
**PNZ53887**  
Gripper opener  
*Fast P*

1:3



**PNZ53889**  
Gripper opener  
*Fast R/S/T - G6300 (first series)*

1:3



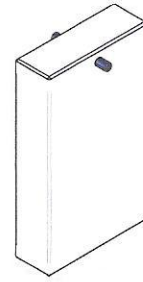
**PNZ53891**  
Gripper opener  
*Fast R/S/T - G6300*

1:2



10:15

**PB028359**  
Teflon lubricant pad  
TP 500 - TP 600



10:15

**PN063506**  
Teflon lubricant pad  
Fast



1:1

**PBZ64185**  
Carbon fiber weft gripper  
TP600



1:1

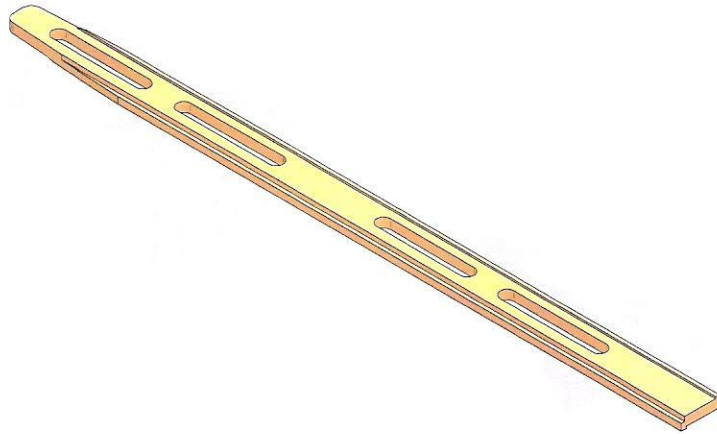
**PNZ63265**  
Carbon fiber gripper plate  
Fast



1:1

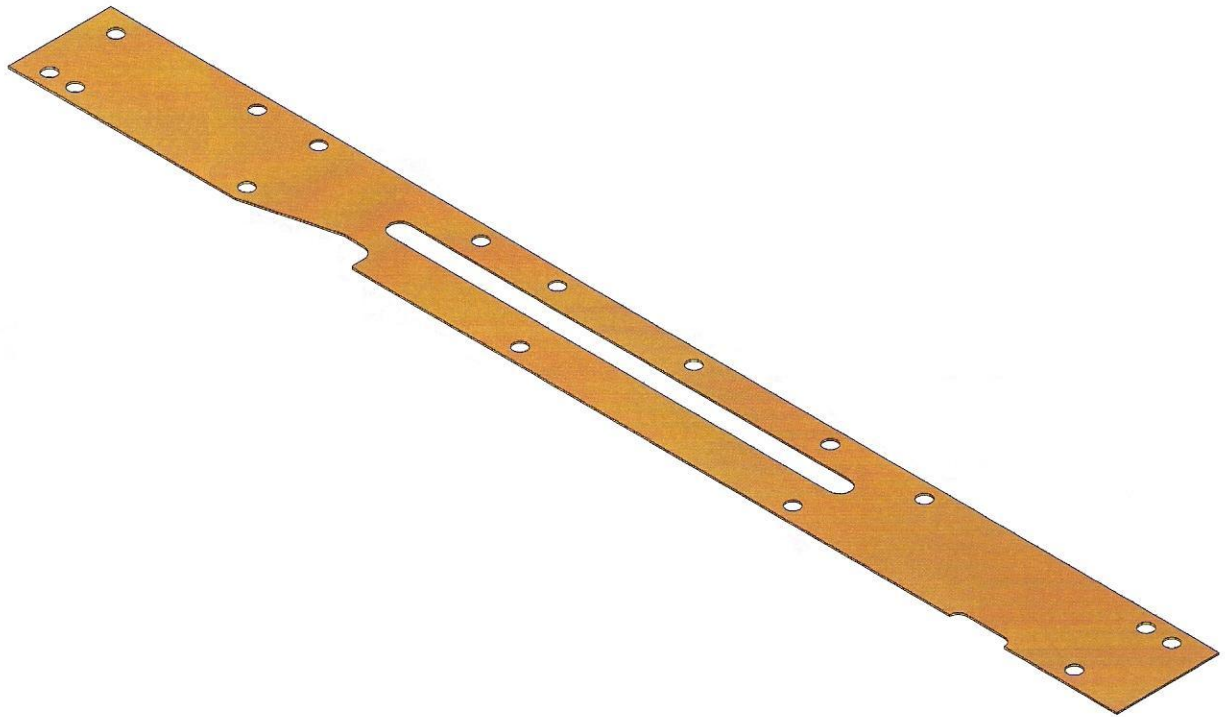
**PNZ63382**  
Carbon fiber gripper plate 72,5x9,4x1,3 mm  
G6300





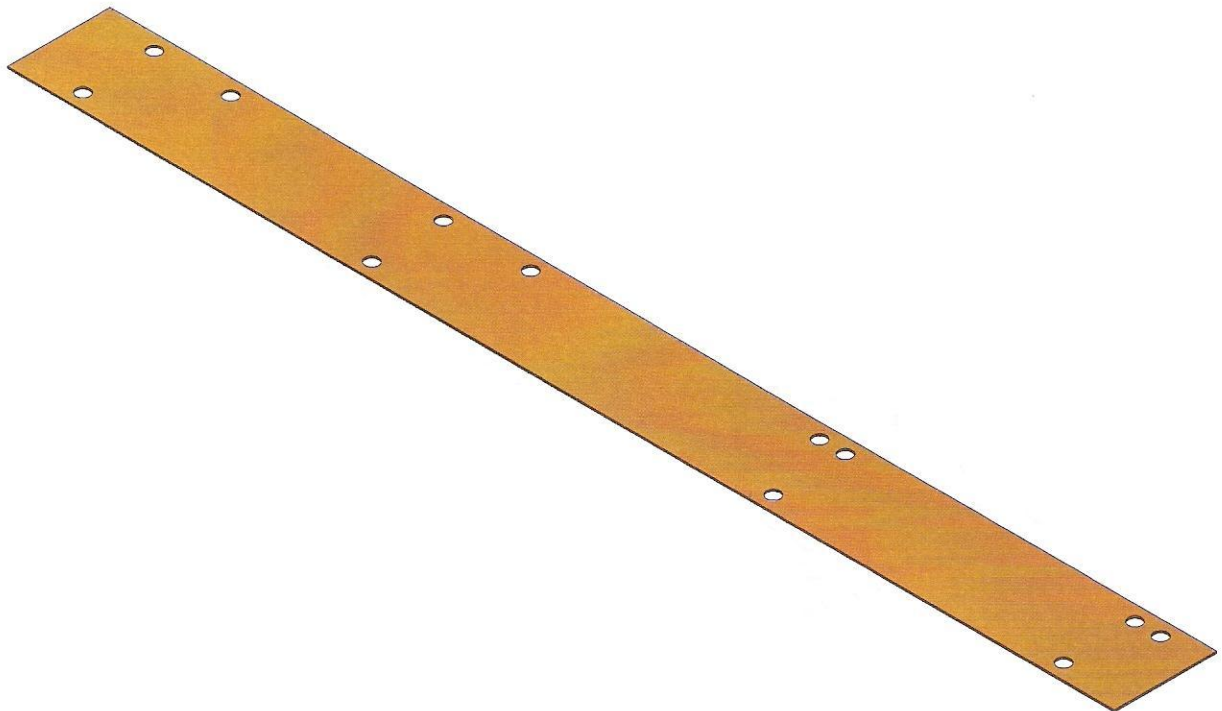
**PQZ53935**  
Gripper opener  
GS900

1:3



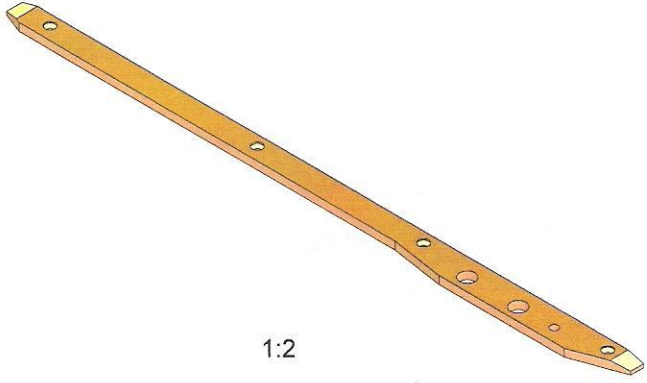
**PNZ53876**  
Flow strip LH tape  
FAST - G6300 - G5900

1:3

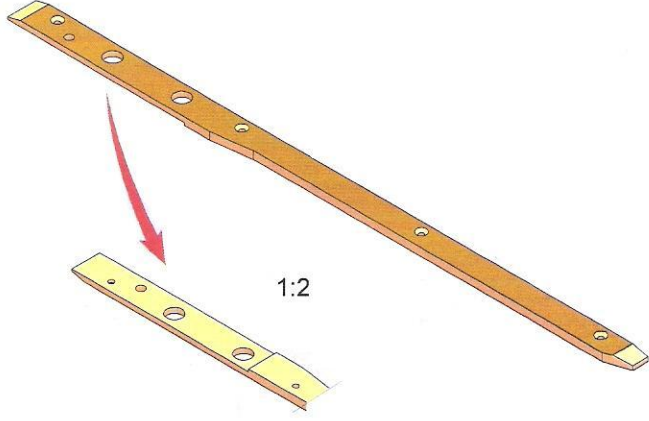


**PNZ53877**  
Flow strip RH tape  
FAST - G6300 - G5900

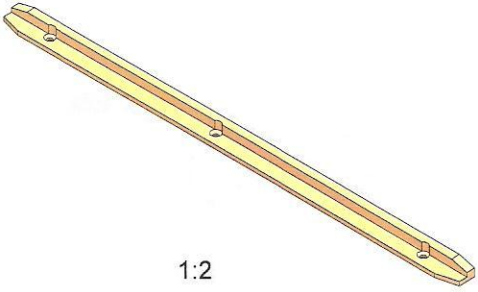
1:3



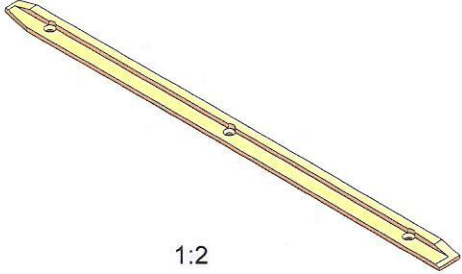
**B84468**  
RH gripper protection  
GTM



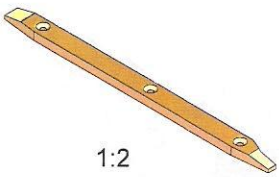
**B84471**  
LH gripper protection  
GTM



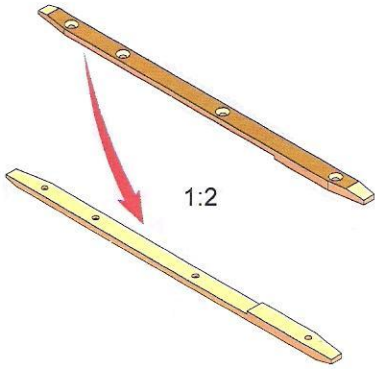
**B88420**  
LH gripper protection  
GTM



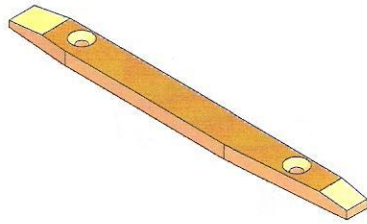
**B88419**  
RH gripper protection  
GTM



**B52999**  
Plate

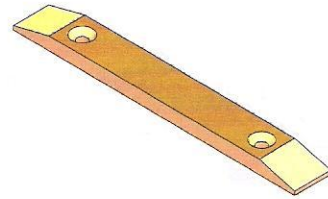


**B53051**  
Plate



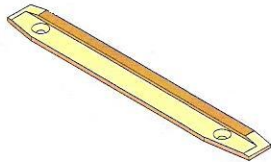
1:1

**B54121**  
Plate  
GTM-AS



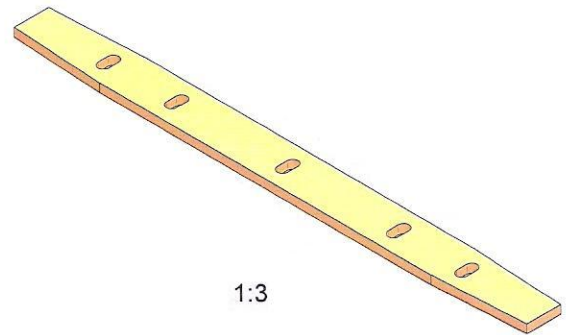
1:1

**B54255**  
Plate



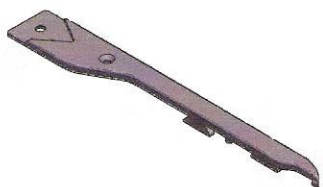
1:2

**B54794**  
Plate



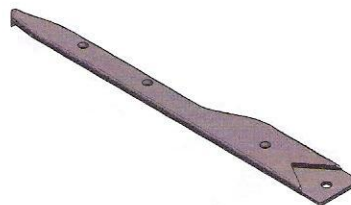
1:3

**BA209103**  
Gripper opener  
Gamma



1:2

**EN1019**  
LH gripper base  
*Master*



1:2

**EN1020**  
RH gripper base  
*Master*



1:2

**AN1F03**  
LH gripper base  
*Master*



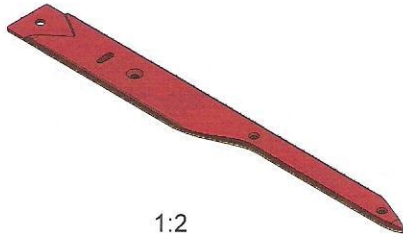
1:2

**AN1F04**  
RH gripper base  
*Master*



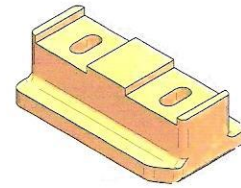
**EDB027**  
Gripper opener plate  
*Master - Thema*

1:3



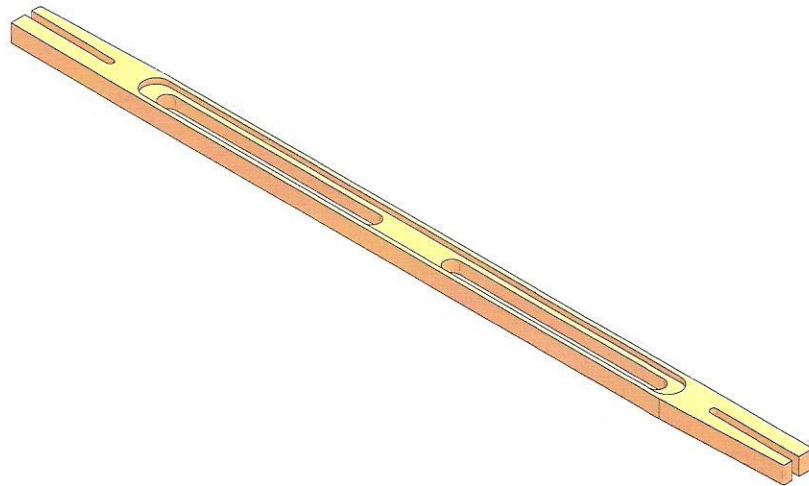
1:2

**EDL059**  
LH/RH gripper base  
*Thema 103*



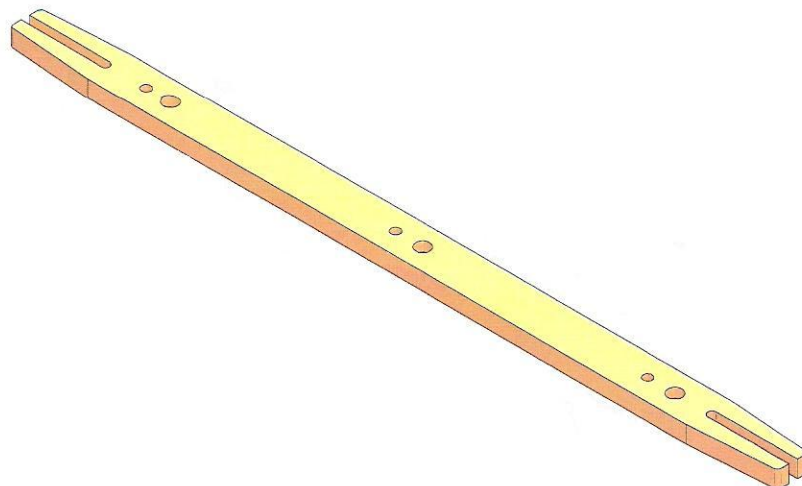
1:2

**HDC083**  
Opener plate M.F.G.  
*Thema 11 Excel*



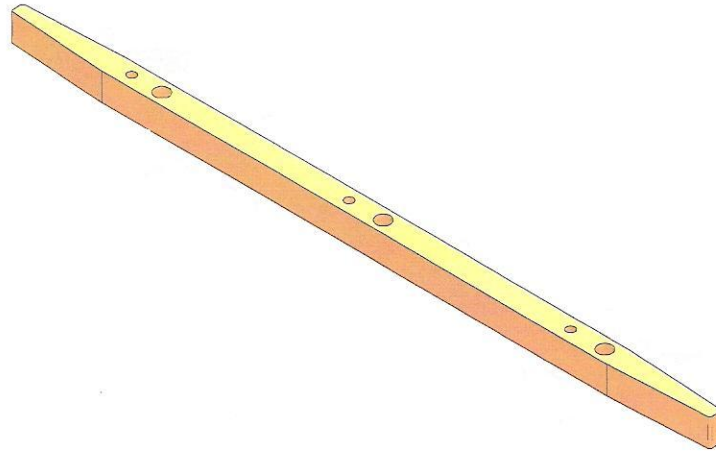
1:3

**HDB100**  
Gripper opener plate  
*Thema 11 Excel*



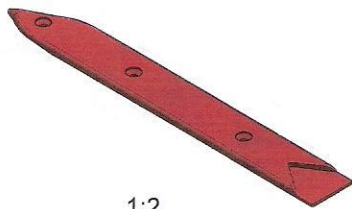
1:3

**HDB118**  
Gripper opener plate  
*Thema 11 Excel*



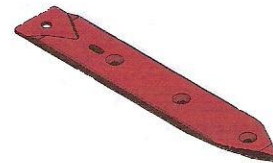
**HDB135**  
Gripper opener plate  
*Thema 11 Excel*

1:3



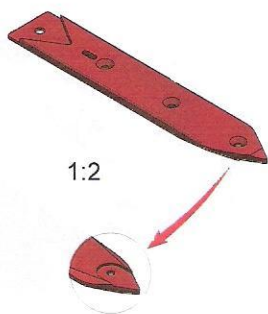
1:2

**HDL017**  
RH gripper base  
*Thema 11 Excel - S. Excel*



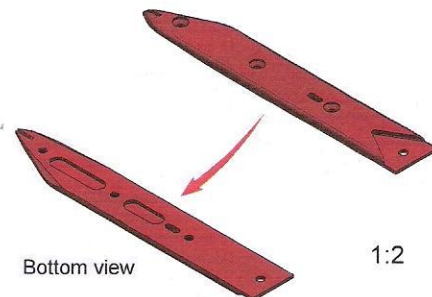
1:2

**HDL047**  
LH gripper base  
*Thema 11 Excel - S. Excel*



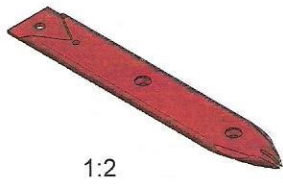
1:2

**HDL148**  
LH gripper base for ceramic  
*Thema 11 Excel - S. Excel*



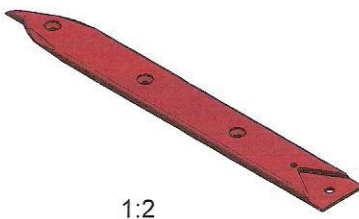
1:2

**LEDL01**  
RH gripper base  
*Alpha*



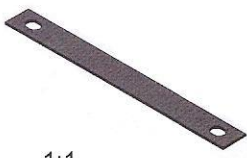
1:2

**HDL211**  
SURF LH gripper base  
*Thema 11 Excel - S. Excel*



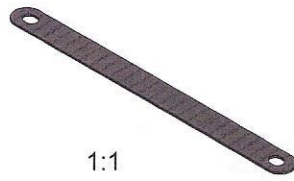
1:2

**HDL223**  
SURF RH gripper base  
*Thema 11 Excel - S. Excel*



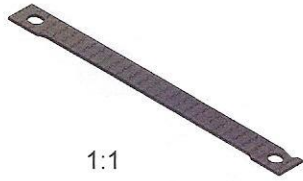
1:1

**HDL004**  
RH gripper carbon fiber belt  
*Thema 11 Excel*



1:1

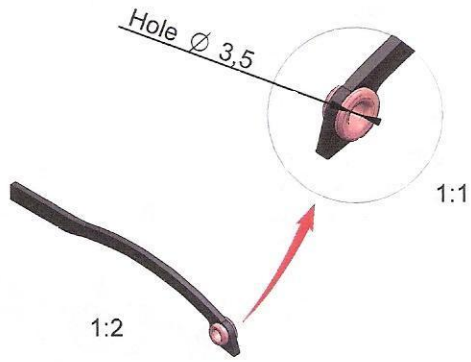
**HDL141**  
Carbon fiber belt  
*Thema 11 Excel*



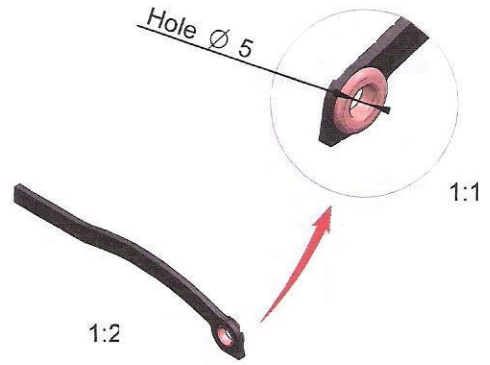
1:1

**EDL094**  
Carbon fiber belt  
*Thema 11 Excel*

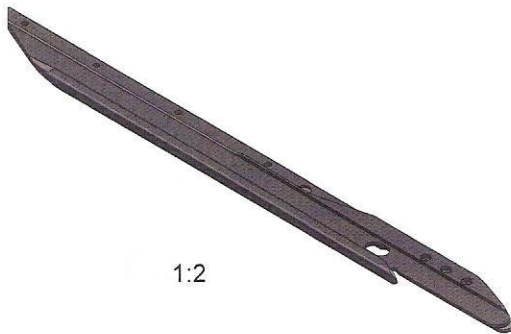




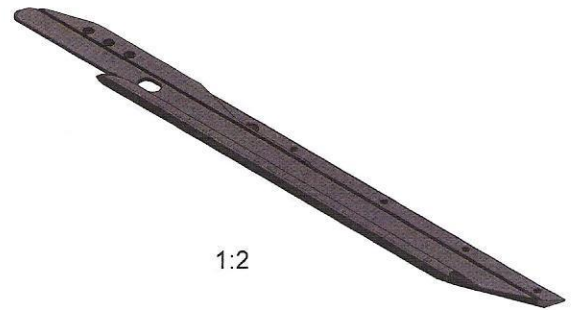
**BDY173**  
Thin carbon fiber finger for weft selector  
*Thema 11 Excel*



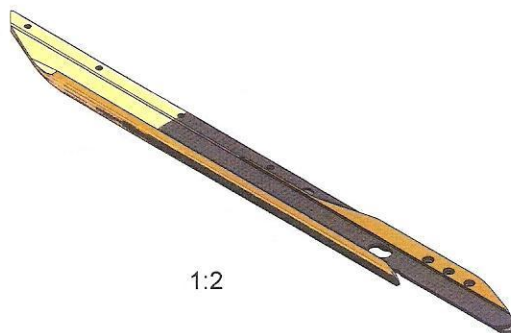
**BDY175**  
Thick carbon fiber finger for weft selector  
*Thema 11 Excel*



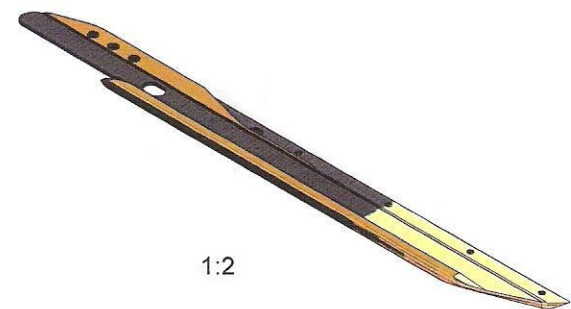
**HH7179**  
RH interchangeable top M.F.G. (heavy cotton/denim)  
*Thema 11 Excel - S. Excel*



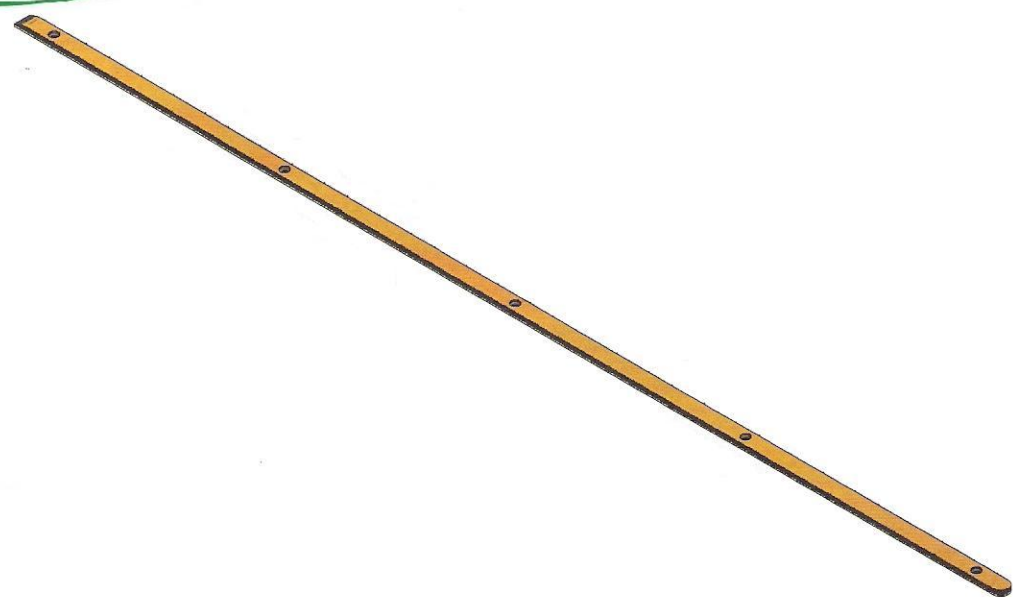
**HH7178**  
LH interchangeable top M.F.G. (heavy cotton/denim)  
*Thema 11 Excel - S. Excel*



**HH7174**  
RH interchangeable top M.F.G.  
*Thema 11 Excel - S. Excel*

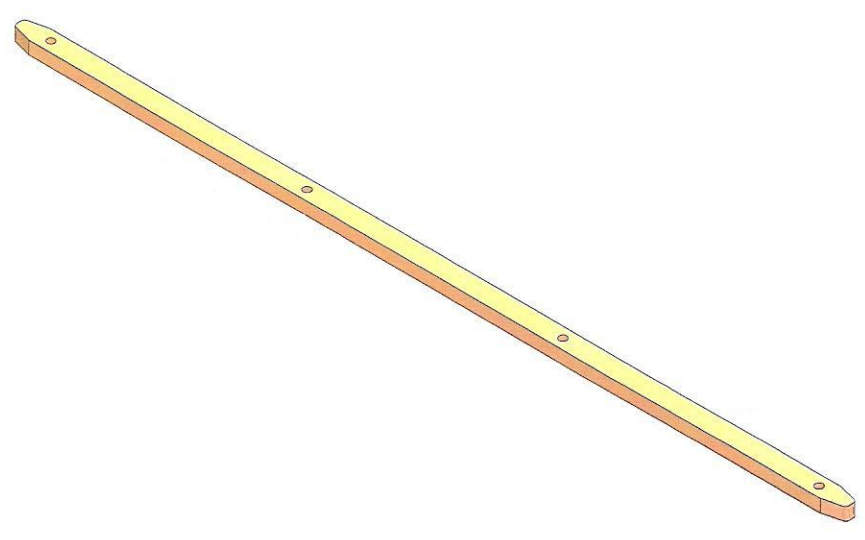


**HH7175**  
LH interchangeable top M.F.G.  
*Thema 11 Excel - S. Excel*



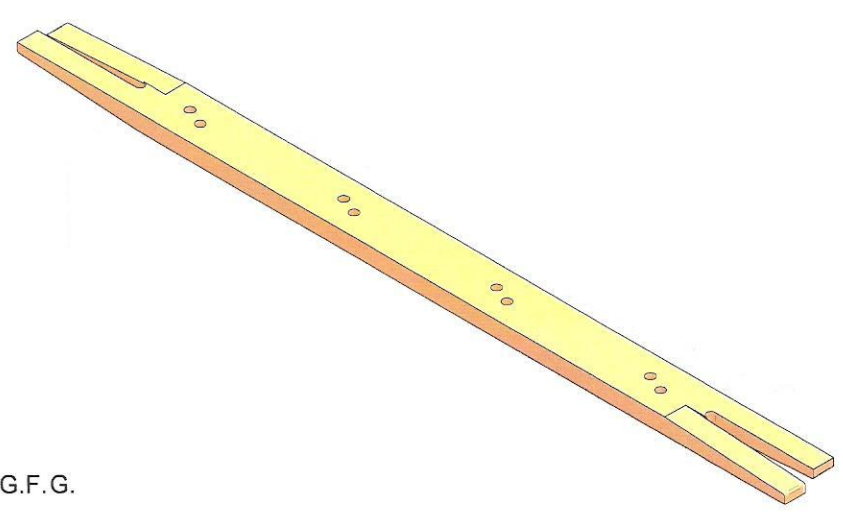
**LEB428**  
Plate  
*Alpha*

1:2



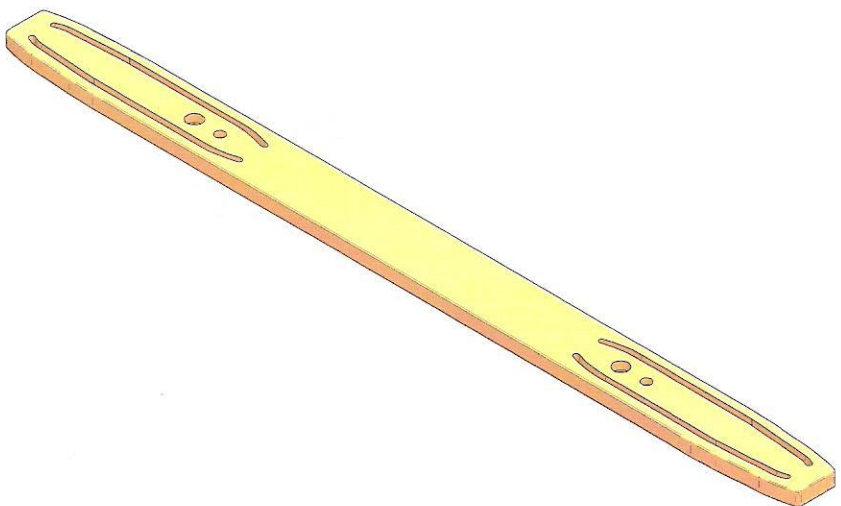
**LEB429**  
RH plate  
*Alpha*

1:2



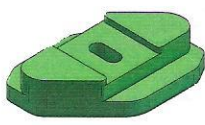
**LEDB06**  
Gripper opener plate G.F.G.  
*Alpha*

1:3



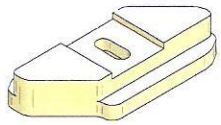
**LEDB13**  
RH gripper opener plate  
*Alpha*

1:3



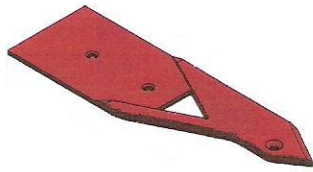
1:2

**LEDC16**  
Gripper opener M.F.G.  
*Alpha*



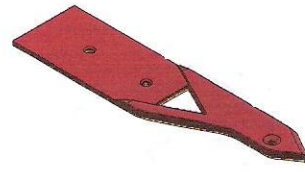
1:2

**HDC045**  
Gripper opener G.F.G.  
*Thema 11 Excel - Alpha*



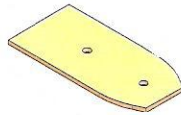
1:2

**2508194**  
Sliding block  
201



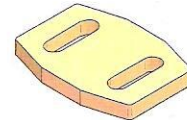
1:2

**2508162**  
Sliding block  
401



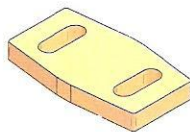
1:2

**2548266**  
Plate for point of tape  
C301 - C401 - SP251



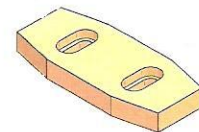
1:2

**2569024**  
LH gripper opener plate  
201 - 401 - 151 - 251



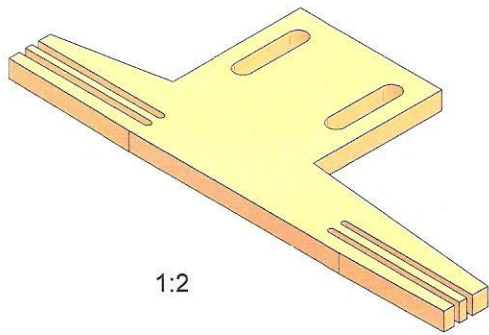
1:2

**2569054**  
LH opener plate  
P1001



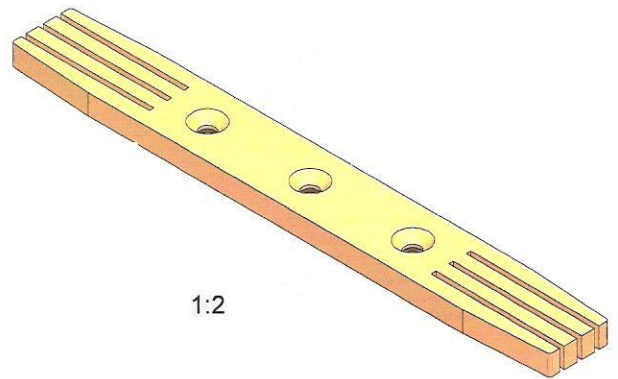
1:2

**2569096**  
Reaction plate  
Leonardo - K88 - Dyna terry



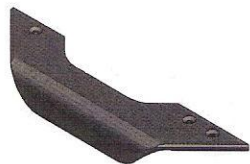
1:2

**2569032**  
Gripper opener plate  
401



1:2

**2569056**  
Gripper opener plate  
401 - P1001



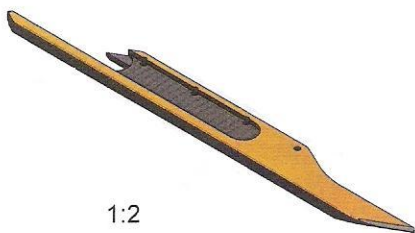
1:2

**2548406**  
RH gripper wing  
P1001/E/ES - SP1151/E/ES



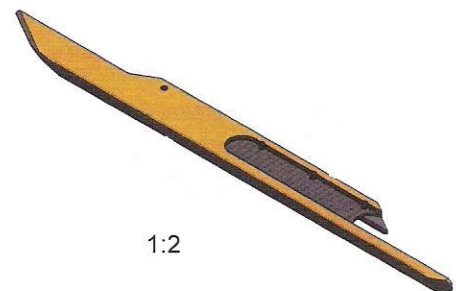
1:2

**2548412**  
LH gripper wing  
P1001/E/ES - SP1151/E/ES



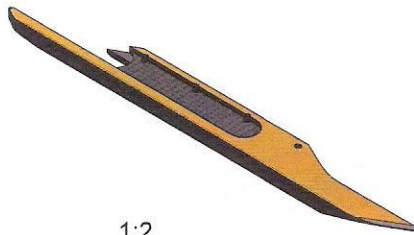
1:2

**2508096**  
LH tape point th. 4 mm  
P1001



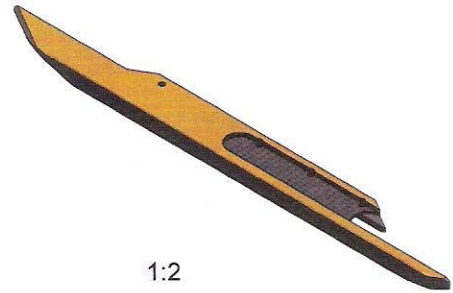
1:2

**2508100**  
RH tape point th. 4 mm  
P1001



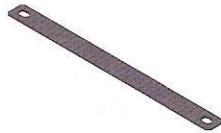
1:2

**2508098**  
LH tape point th. 6.5 mm  
P1001



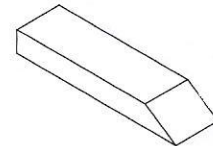
1:2

**2508102**  
RH tape point th. 6.5 mm  
P1001



1:2

**2148132**  
RH gripper carbon fiber spring  
C401



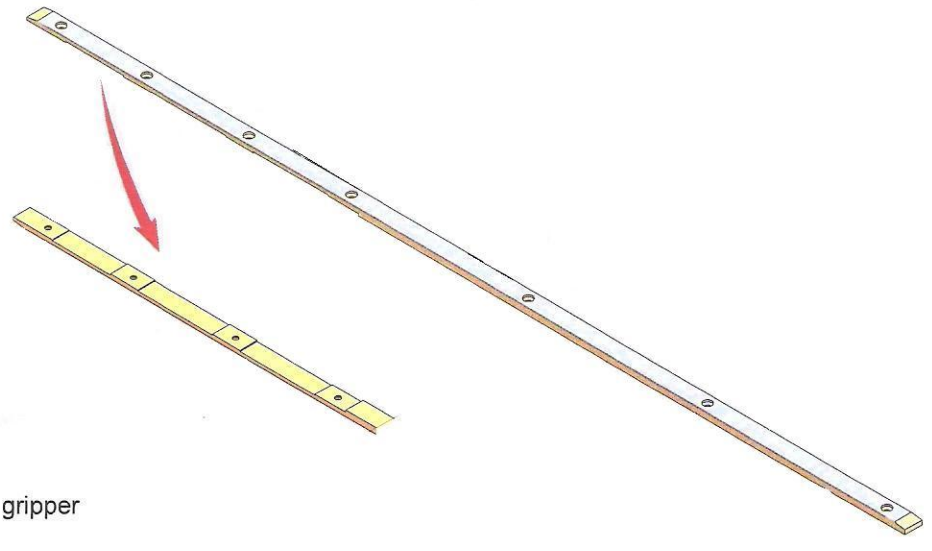
1:2

**2509090**  
Teflon lubricant  
P1001



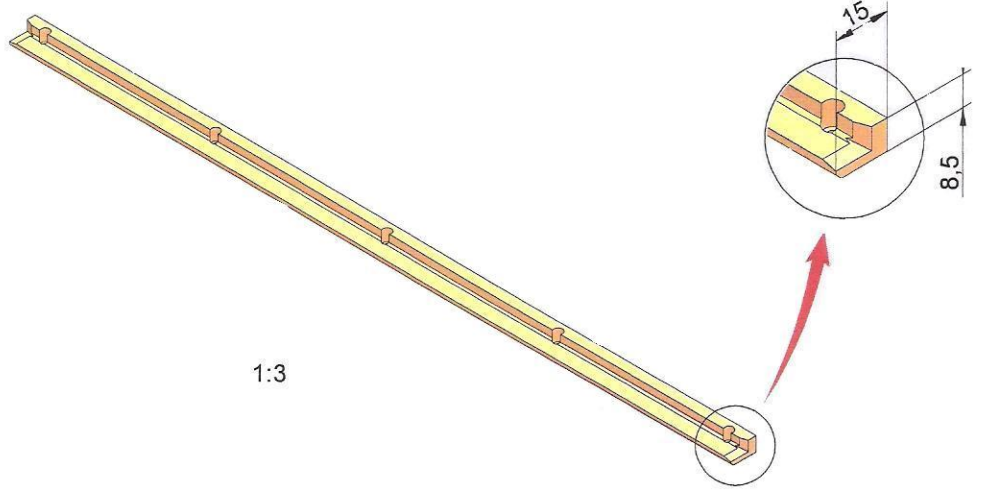
**2508068**  
Support plate for RH gripper  
P1001

1:3



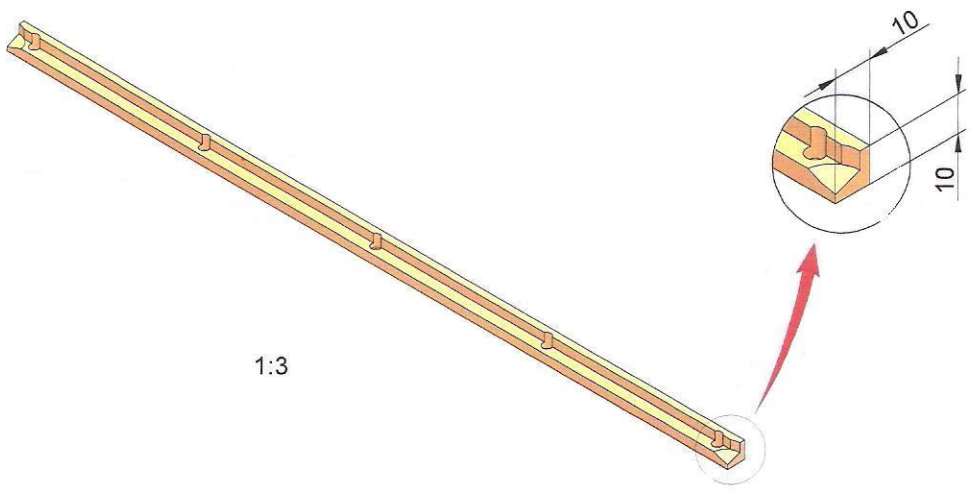
**2508086**  
Support plate for LH gripper  
*P1001*

1:3



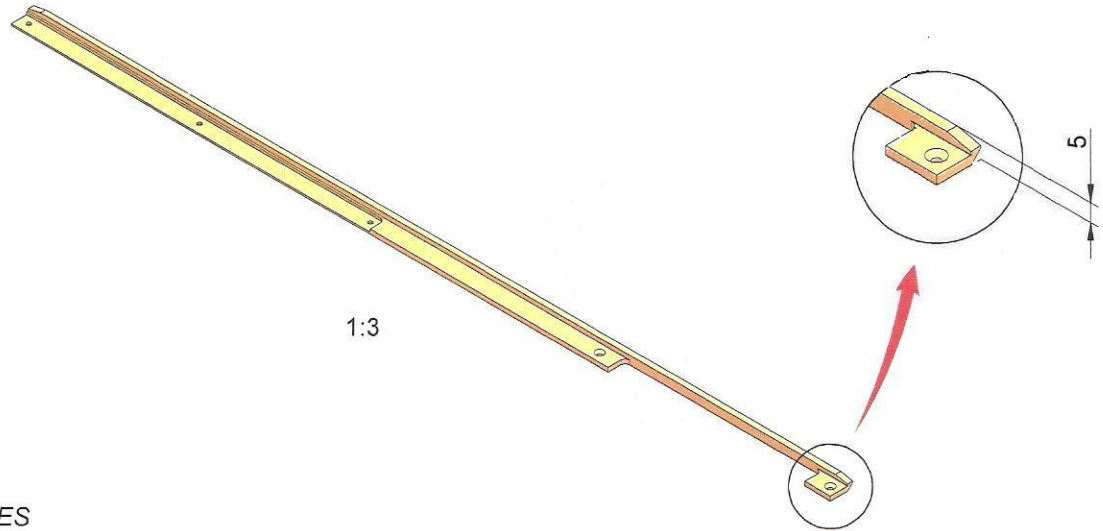
1:3

**2509092**  
Reaction rod RH gripper  
*Leonardo*



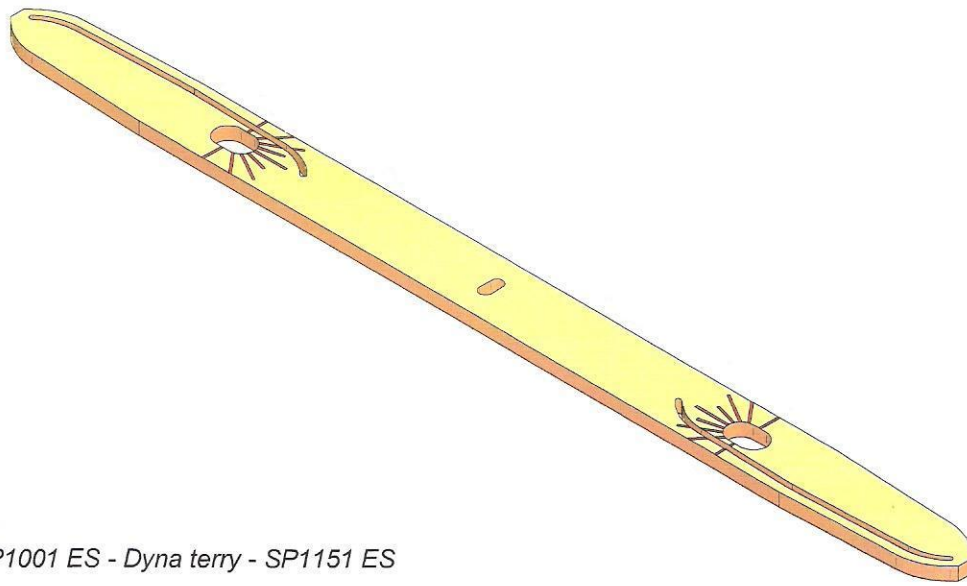
1:3

**2509096**  
Reaction rod RH gripper  
*Leonardo*



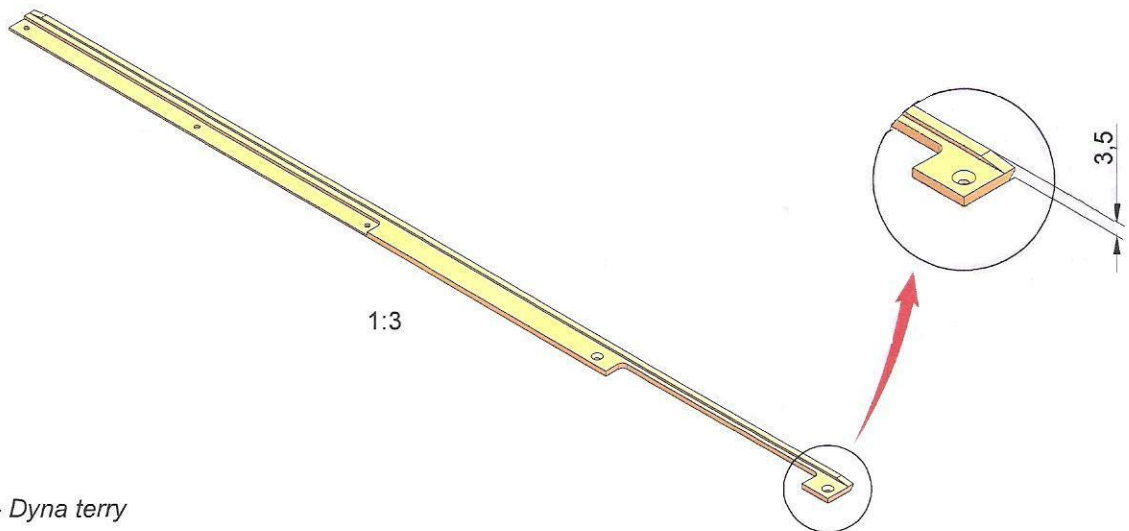
1:3

**2509122**  
Reaction plate  
P1001 ES - SP1151 ES



1:2

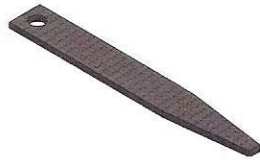
**2509110**  
RH gripper opener  
Leonardo - K88 - P1001 ES - Dyna terry - SP1151 ES



1:3

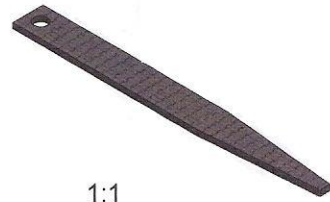
**2509120**  
Reaction plate  
Leonardo - K88 - Dyna terry





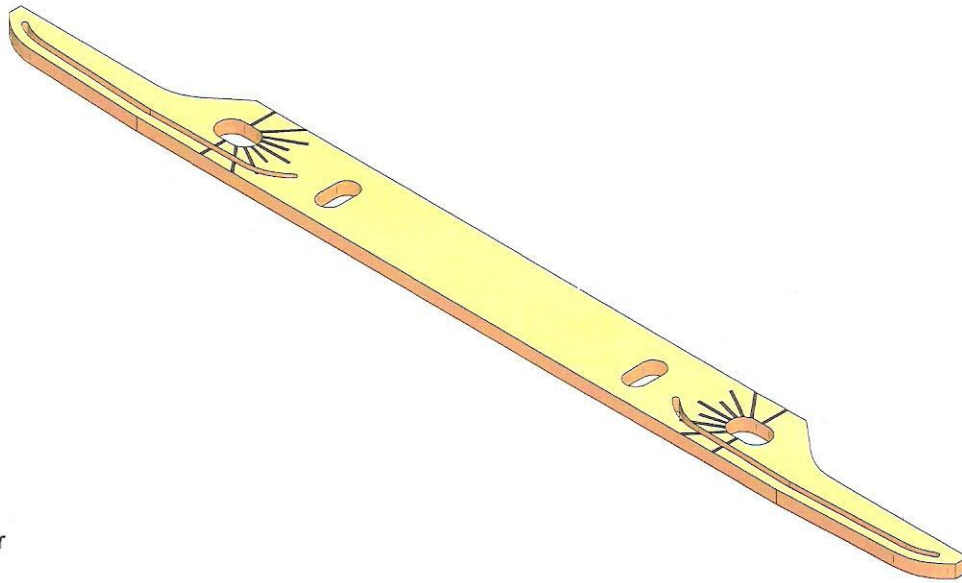
1:1

**2508112**  
Carbon fiber pressure plate  
*9000 Plus ES*



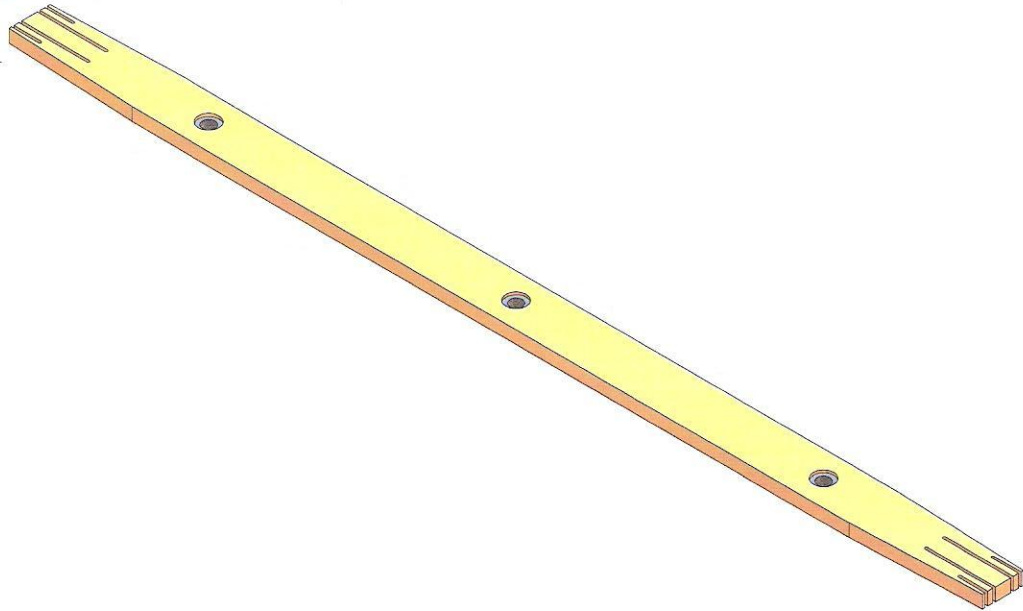
1:1

**2508114**  
Carbon fiber pressure plate  
*9000 Plus ES*



1:2

**2509116**  
RH gripper opener  
*Leonardo F.T.S.*



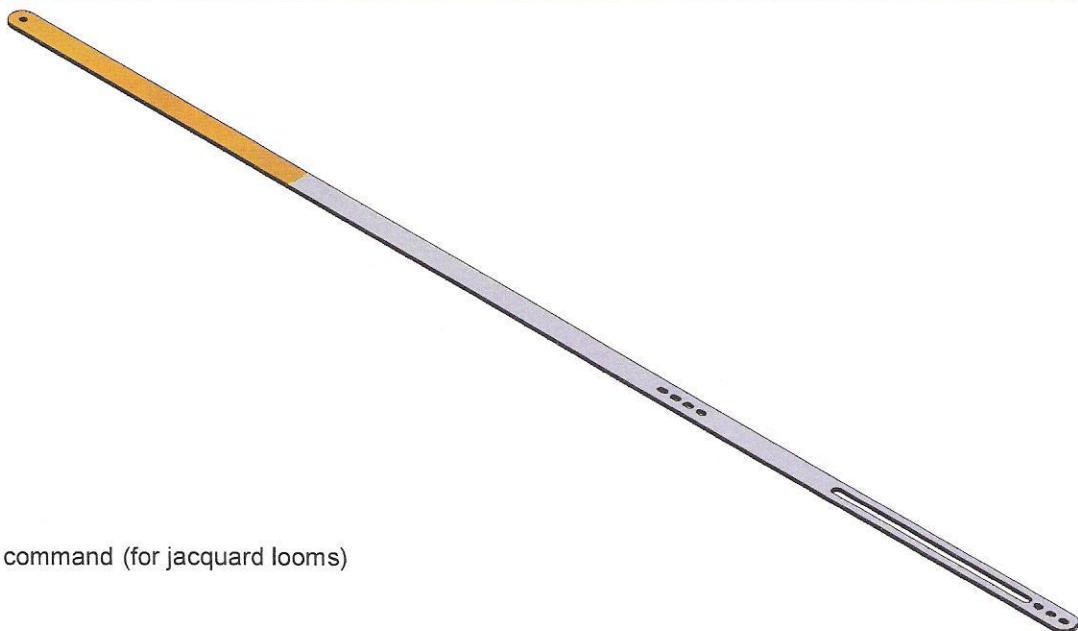
**2811002**  
Gripper opener

1:2



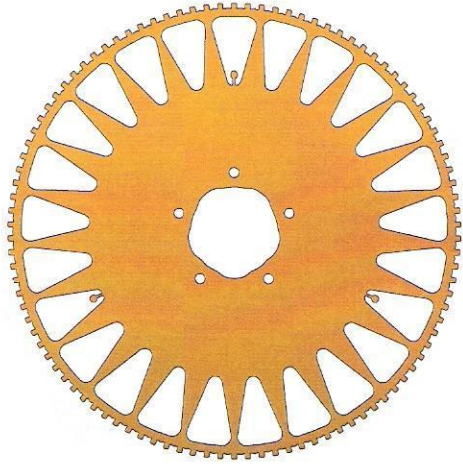
**3503010**  
Foil for leno command (for dobby looms)

1:2



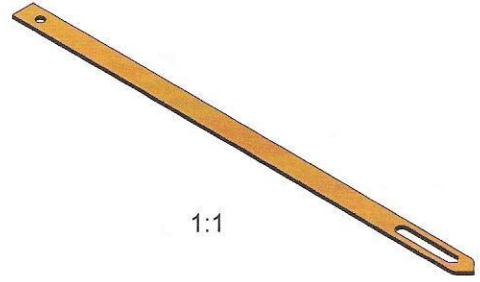
**3503039**  
Foil for leno command (for jacquard looms)

1:2



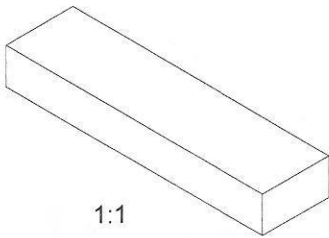
**2303104**  
Drive wheel

1:5



1:1

**2503009**  
Spring foil for RH gripper



1:1

**2573082**  
Teflon lubricant pad



Consultoria Textil Import  
Export Vendas Manutenção

**LIBA**  
**KARL MAYER**

(Interchangeable with originals)

Ricambi KARL MAYER - Karl Mayer spare parts:



358331



153288



145985



158207



FLO-nesp



PF-KM-1



PF-KM-2



Consultoria Textil Import  
Export Vendas Manutenção

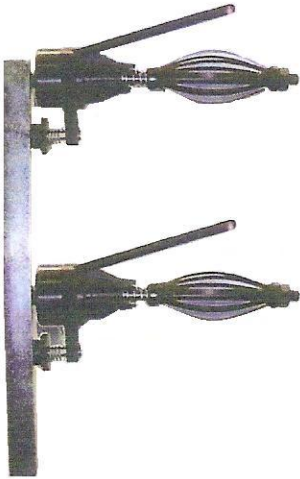
AIR - JET spare parts:



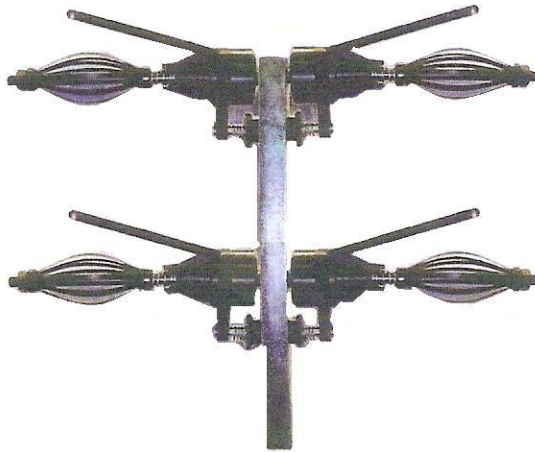


Consultoria Textil Import  
Export Vendas Manutenção

**Reel for LENO DEVICE:**



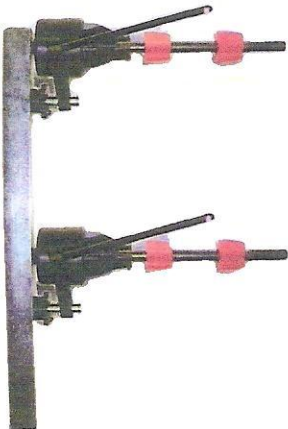
LN1-1



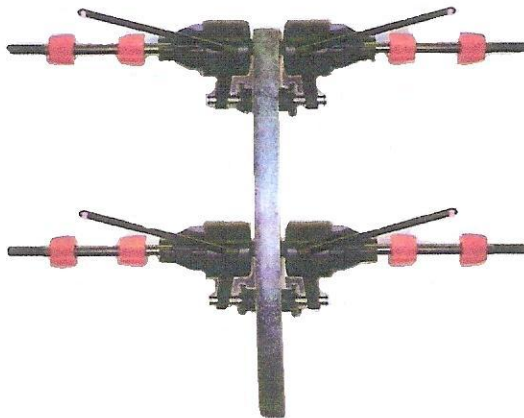
LN1-2



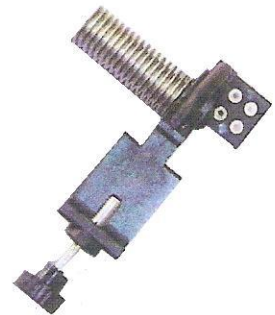
LN3-C



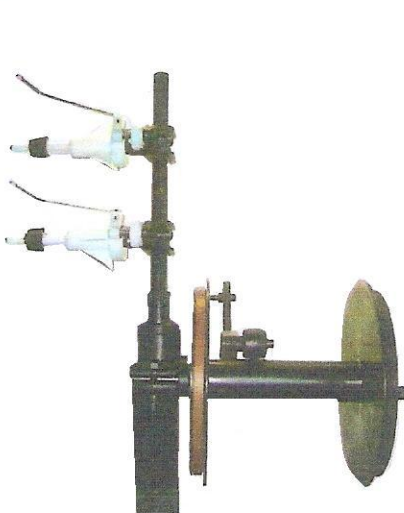
LN2-1



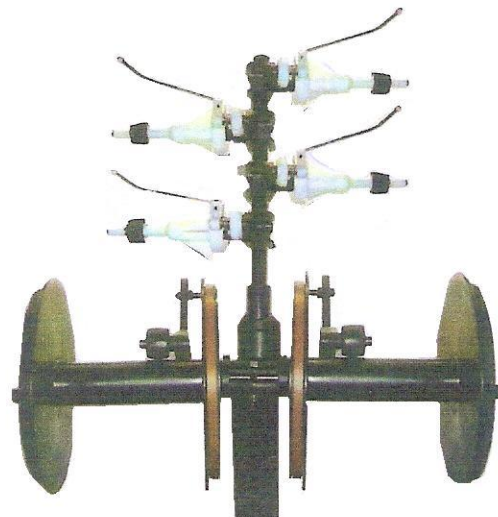
LN2-2



LN-R



LN3-1



LN3-2



Consultoria Textil Import  
Export Vendas Manutenção



Original KLOCKER leno healds:





Consultoria Textil Import  
Export Vendas Manutenção

Maglie per giro inglese - haddles for leno devices







Consultoria Textil Import  
Export Vendas Manutenção

**FEEDERS spare parts (interchangeable with originals):**



FSP437 - Ø173



FSP438 - Ø175



FSP439 - Ø175



FSP440 - Ø175



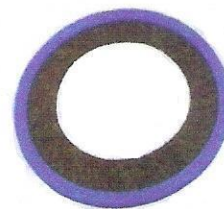
FSP441 - Ø143



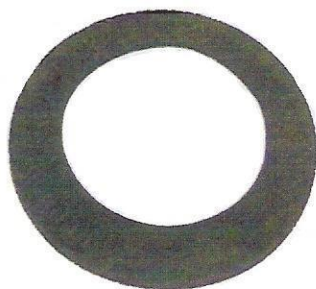
FSP442 - Ø143



FSP443 - Ø159



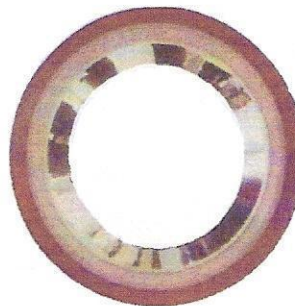
FSP444 - Ø143



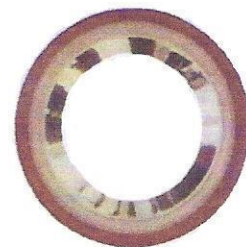
FSP445 - Ø178



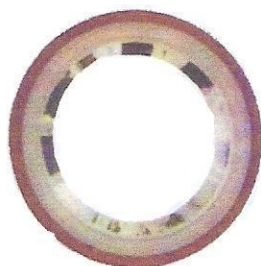
FSP560 - Ø145 - Ø43



FSP752 - Ø186



FSP753 - Ø144



FSP754 - Ø154



FSP755 - Ø186



FSP756 - Ø126



FSP820 - Ø152



Consultoria Textil Import  
Export Vendas Manutenção

**FEEDERS spare parts (interchangeable with originals):**



FSP120



FSP190 - Ø178



FSP428 - Ø165



FSP819 - Ø145



FSP427  
Ø165 - 0,1mm



FSP427A  
Ø165 - 0,15mm



FSP427B  
Ø165 - 0,1mm



FSP427C  
Ø165 - 0,15mm



FSP429 - Ø185



FSP430 - Ø172



FSP431 - Ø172



FSP432 - 143



FSP433 - Ø145



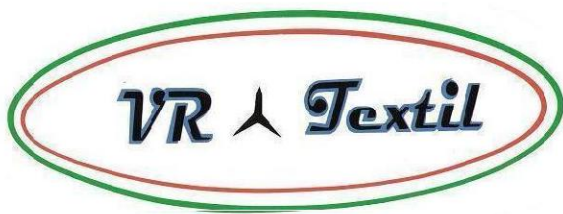
FSP434 - Ø150



FSP435 - Ø143

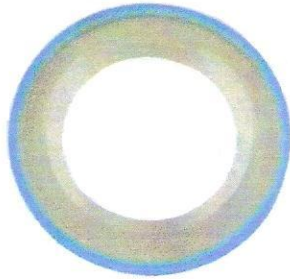


FSP436 - Ø143



Consultoria Textil Import  
Export Vendas Manutenção

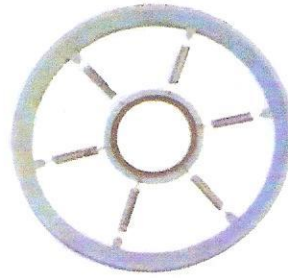
**FEEDERS spare parts (interchangeable with originals):**



FSP821 - Ø145



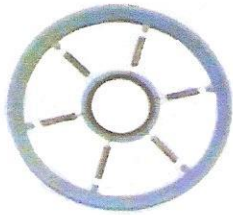
FSP822 - Ø145



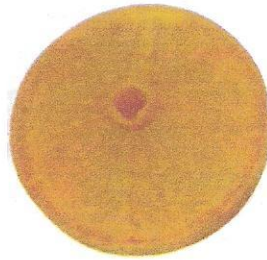
FSP823 - Ø144



FSP824 - Ø113



FSP825 - Ø112



FSP224 - Ø131 - Ø15



FSP751



FSP558A - 600mm



FSP558B - 600mm



FSP557 - 480mm



Consultoria Textil Import  
Export Vendas Manutenção

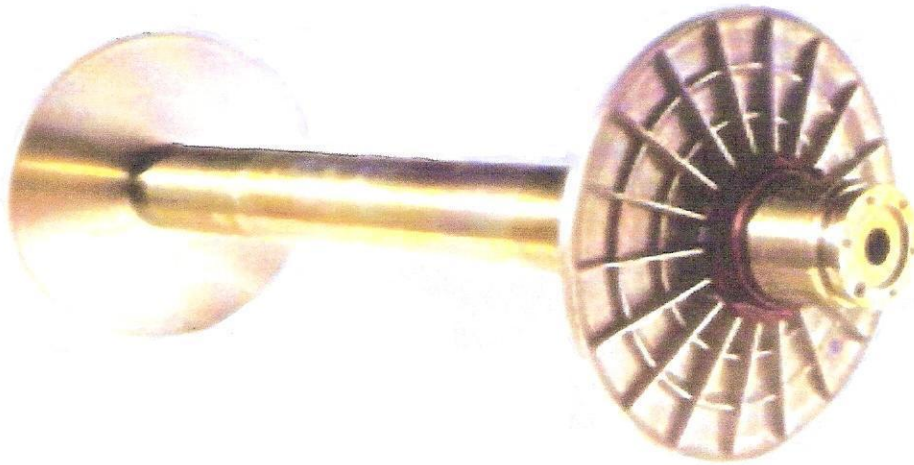
PREFEEDERS original spare parts:





Consultoria Textil Import  
Export Vendas Manutenção

SOMET original spare parts:

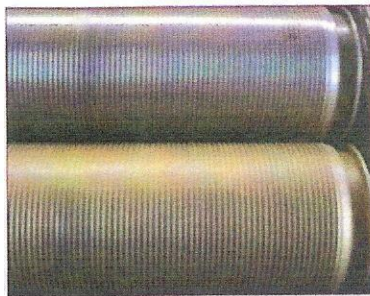


Subbi e flange  
Beams and flanges

Ricondizionamento - Reconditioning



Prima - Before



Dopo - After



Anelli - rings

Subbielli per tutti i tipi di telaio  
Cloth rollers for all model of looms



Prodotti chimici  
Chemical products



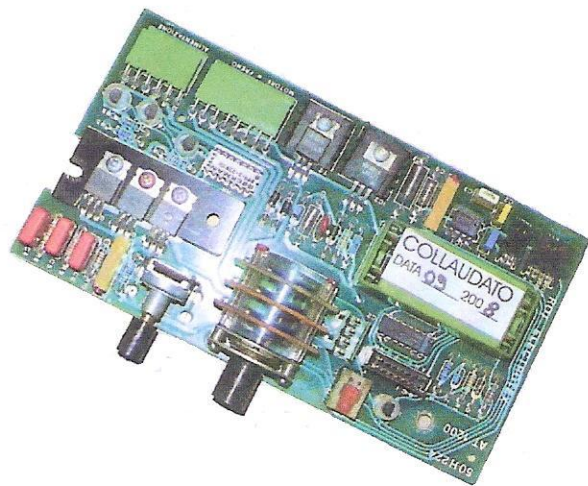


Consultoria Textil Import  
Export Vendas Manutenção

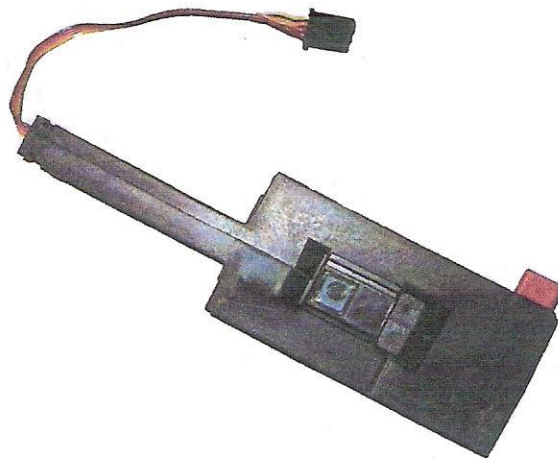
Roj AT1200 - QUARZ - DART spare-parts:



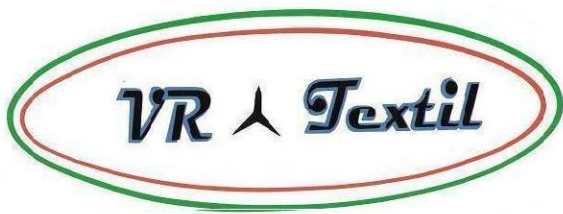
Revised feeders



Cards



Photocell



Consultoria Textil Import  
Export Vendas Manutenção

Ultrasound cleaning:

